

1

2

3

4

5

6

A

A

B

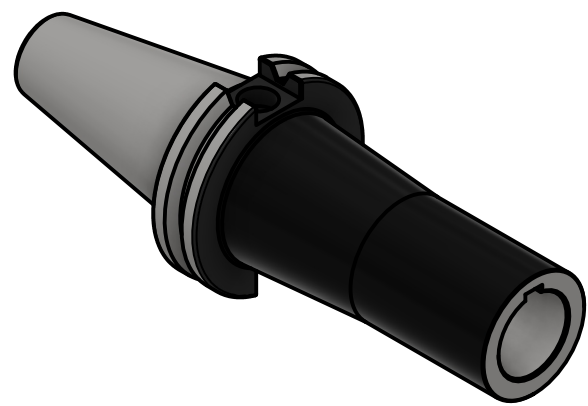
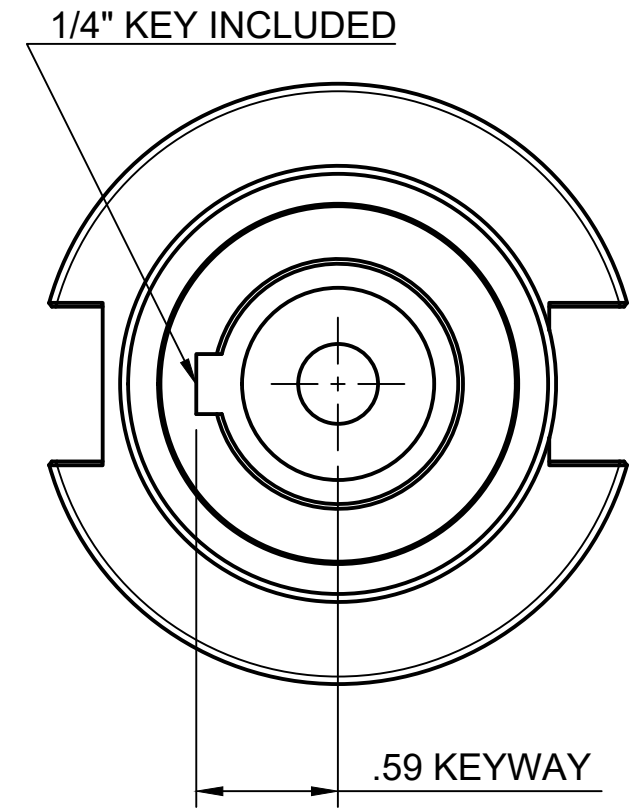
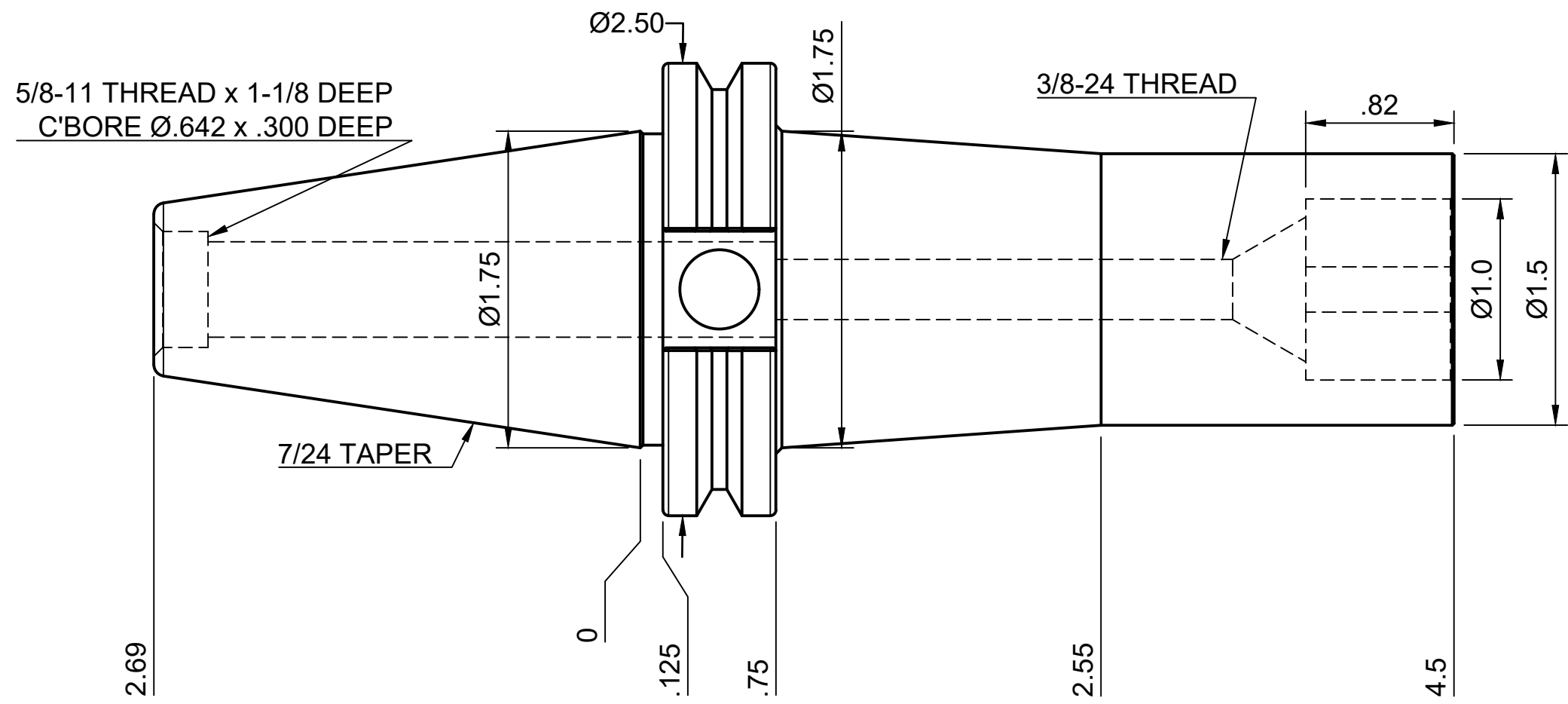
B

C

C

D

D



NOTES:
 THIS TOOL HOLDER ACCEPTS ALL 1.0" SSA CAPS
 SSA1.0-CAPK1 INCLUDED
 FOR MORE PRODUCT DETAILS PLEASE GO TO MARITOO.COM
 AND SEARCH ITEM # LISTED ON THIS PRINT

MARITOO
www.maritool.com
ITEM# CAT40-SSA1.0-4.5KT
Made In USA / Drawn By FM

1

2

3

4

5

6